

# VINYL COVERED STEPS

## RADIUS

SOLD TO:		SHIP TO:	
ADDRESS:		ADDRESS:	
CITY/PROV:		CITY/PROV:	
POSTAL CODE:		POSTAL CODE:	
PH:	FAX:	PH:	CONTACT:
DATE:	PO:	TAG:	SHIP VIA:

### BACK CORNER

CORNER TYPE	SIZE
<input type="checkbox"/> SQUARE	
<input type="checkbox"/> RADIUS	
<input type="checkbox"/> CUT-OFF	

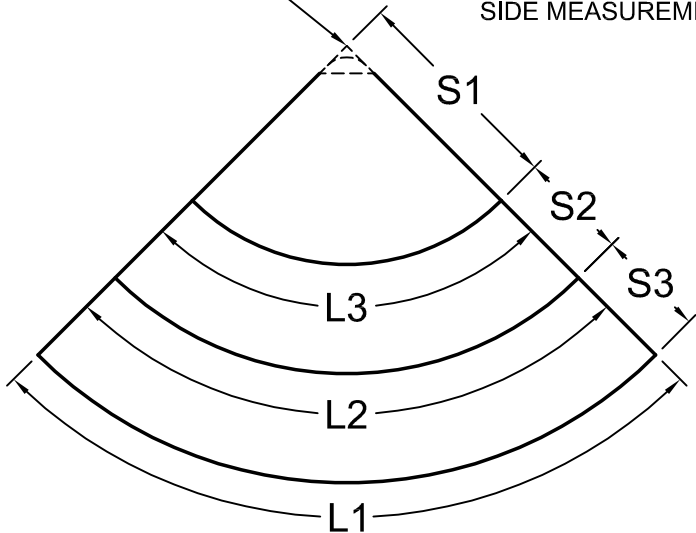
PLEASE INDICATE LOCATION OF STAIRS ON TOP VIEW OF MEASURING PAGE

### MEASUREMENTS

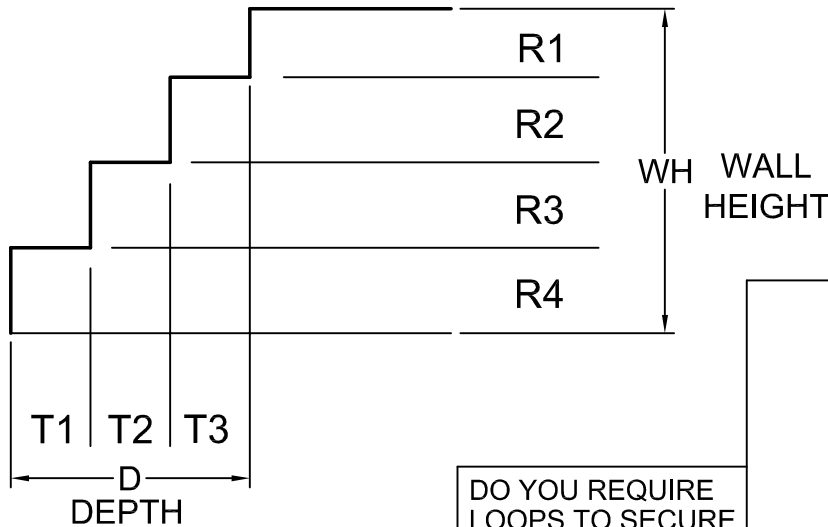
L1	
L2	
L3	
WH	
D	
R1	
R2	
R3	
R4	
T1	
T2	
T3	

PLEASE INDICATE IF THE SIDE MEASUREMENTS ARE DIFFERENT

S1	
S2	
S3	

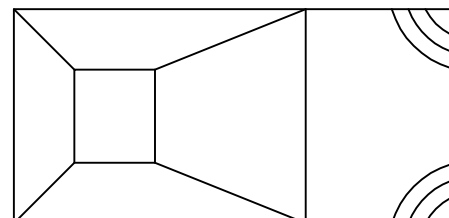


NOTE:  $R1 + R2 + R3 + R4 = \text{WALL HEIGHT}$   
 $T1 + T2 + T3 = \text{DEPTH}$



### LOCATION OF STEP

CIRCLE ONLY ONE



DO YOU REQUIRE  
 LOOPS TO SECURE  
 STAIRS WITH RODS

NO	YES
----	-----